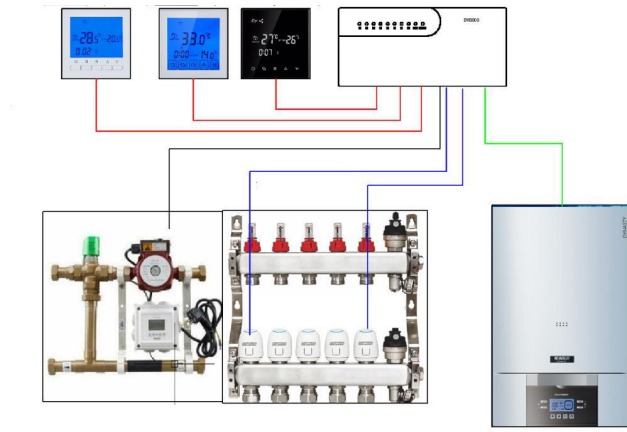


master control panel controller operating instructions

HY525 wired master control panel is used to control water pump , Boiler ,thermal actuator ,motorised valve etc.

System introduction



1. Thermostat
2. Boiler
3. Thermal actuator
4. HY525 master control panel
5. Motorised valve

Technical Data

Power: 170—240VAC 50/60Hz
Ambient temp:-20°C ~ 60°C
Size: 240*110*42 mm

Relay output max current :3A
Storage temp : -20°C ~ 70°C
Color: White

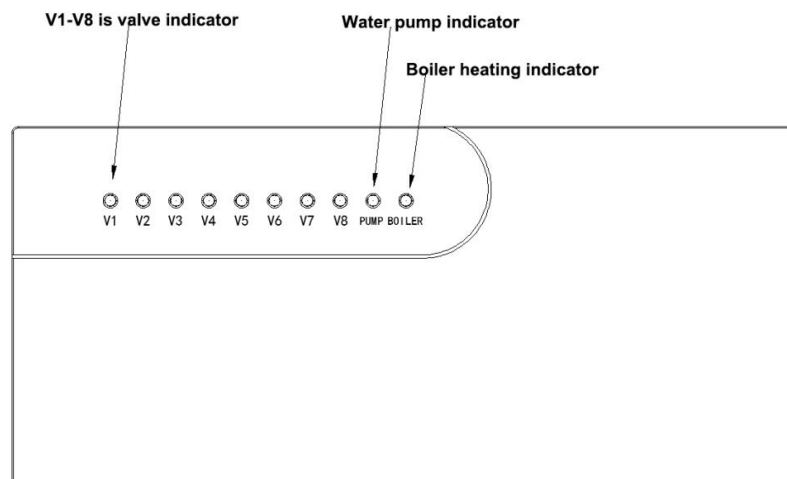
Feature

- 1 Every master controller max control 8pcs slave controller
- 2 Heating System included thermal actuator ,boiler,water pump and mix valve
- 3 Every output have a corresponding indicator

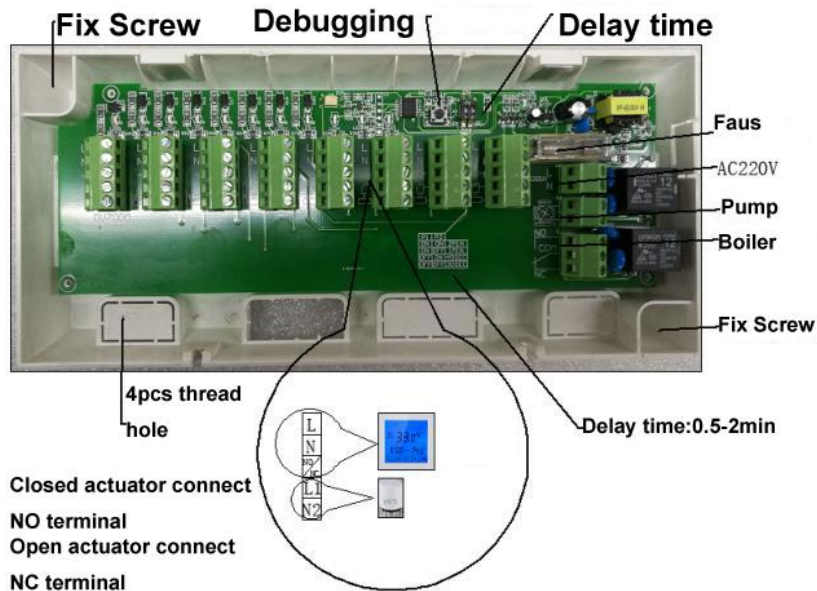
1. Output indicate:

- (1) LED is constant light in the box mean have power output indicate
- (2) LED is flashing light in the box mean a status indicate (If fault, then not indicate)
- (3) red indicator light indicates 1-8# compartment electric valve opening indication
- (4) LED9, 10 red indicator light indicates boiler and water pump or system total valve opening indication

2. Indicator



3. Installation



If you need to debug or check whether the master controller is working normally, you can press and hold the debug button before powering on and then power on. At this time, the time delay is invalid, you can quickly check the functions required for debugging (such as the debugging function after 20 minutes of no operation). Invalid). The working time required for the delay time can be adjusted by the dial switch, and can be adjusted according to the product indication position scheme.

Notes

- 1、 Please cut off power before installation ,cleaning or replace
- 2、 Please read manual carefully before installation and operation
- 3、 Suggest let the professional worker install

Size

